



mrQ

supine

A revolution
of Nd:YAG
treatment

your laser specialist

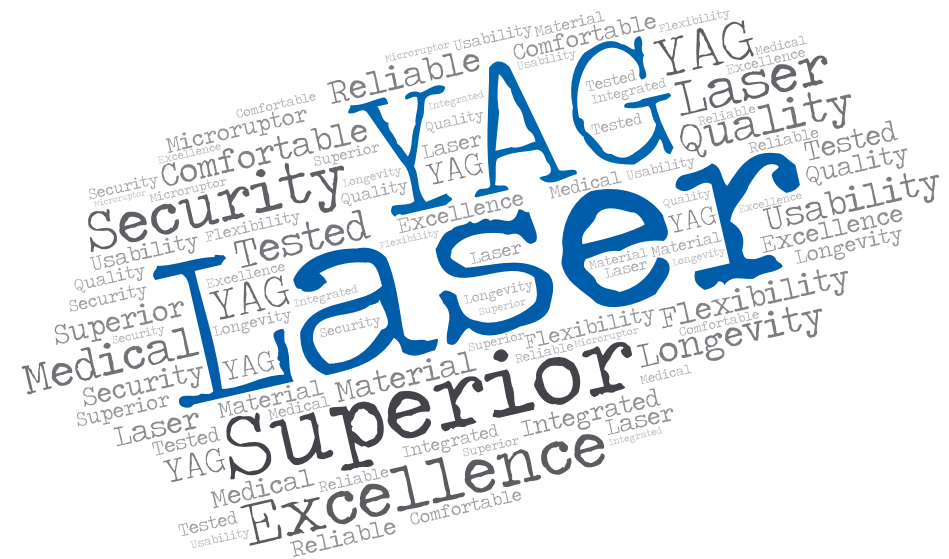
meridian 
medical



mrq
supine

BEYOND A HISTORICAL NAME

Following the Microruptor's legacy, Meridian's MR Q supine has been designed to treat patients in supine position



your laser specialist

meridian 
medical



SUPERIOR QUALITY & LONGEVITY

Meridian Medical MR Q supine is a fully-featured and integrated Nd:YAG laser combined with renowned European precision optics. The high-grade aluminium mono-block laser housing gives a unique solid feeling.

The MR Q supine features a super Gaussian mode laser profile. Its performance and accuracy provide excellent laser treatments. The MR Q internal power meters monitor the energy delivered to enhance patient safety.

The MR Q supine laser cavities are tested under severe conditions, demonstrating outstanding performance.

USABILITY

The MR Q supine is a fully-featured and powerful Nd:YAG, designed to treat patients in supine position, ideal for operation theaters.

The ergonomic 0 – 210° tiltable Haag-Streit Binoculars improve the surgeons' comfort and provides an unparalleled visual quality.

With digitally controlled anterior and posterior offset, MR Q supine provides unique safety features at every start.



mrq supine



SAFETY

The electronically controlled laser movements allow precisely position the laser. The wheels are automatically locked when the laser is in operation.

Thinking in a hospital's environment, the MR Q key has been replaced by an electronic keypad with a 4 – pin access code.

The electronically controlled offset allows the surgeon to control the laser disruption precisely, emitting audible alarms when the anterior offset is selected, minimizing the risk of erroneous offset selection.



FLEXIBILITY & COMFORT

The supine treating position is ideal for paediatrics patients and those unable to sit on a slit lamp. The MR Q supine offers the surgeon a perfect ergonomic laser interaction and makes it easier to handle patients under sedation, reducing stress on patients, doctors and theatre staff.

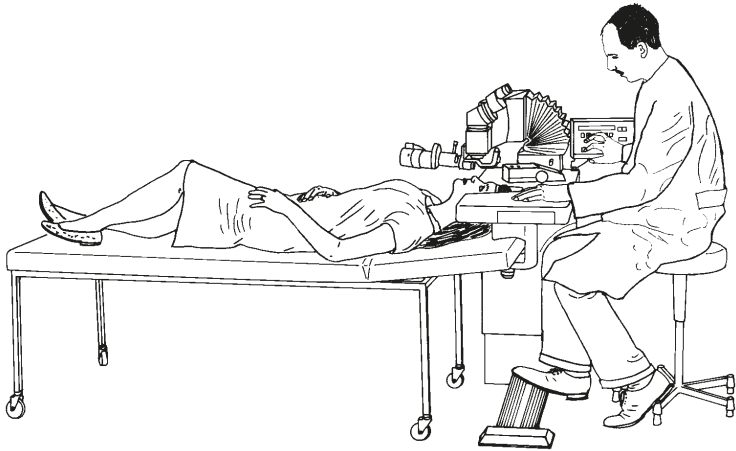
The MR Q supine will work on any existing operating table with a headrest, offering with a special fixture for very young patients. Its versatility is designed to cater for any operating theatre requirement.

OPTIMIZE YOUR WORKFLOW

If you have the practice space and are looking for a differentiating factor, the MR Q supine will provide you with a fantastic spa-like device to pamper your patients.

The MR Q supine improves your interaction with laser and patient in a more ergonomic way.





LASER EXCELLENCE

The history of Meridian AG, now showing up as Meridian Medical Group, and the history of the medical Nd:YAG laser are closely connected. The Microruptor II, developed by Meridian engineers and Prof. Dr. Franz Fankhauser († 2020), changed the way of many ophthalmology treatments.

New technology is continuously developed and patented by our development engineers. We select and integrate the best Swiss and European laser components to ensure the highest quality and long-term reliability.

We use tested and reliable best practices in engineering and integration, ensuring our systems' highest performance. Our highly skilled and experienced staff works to deliver the service and results our customers deserve and have come to expect.

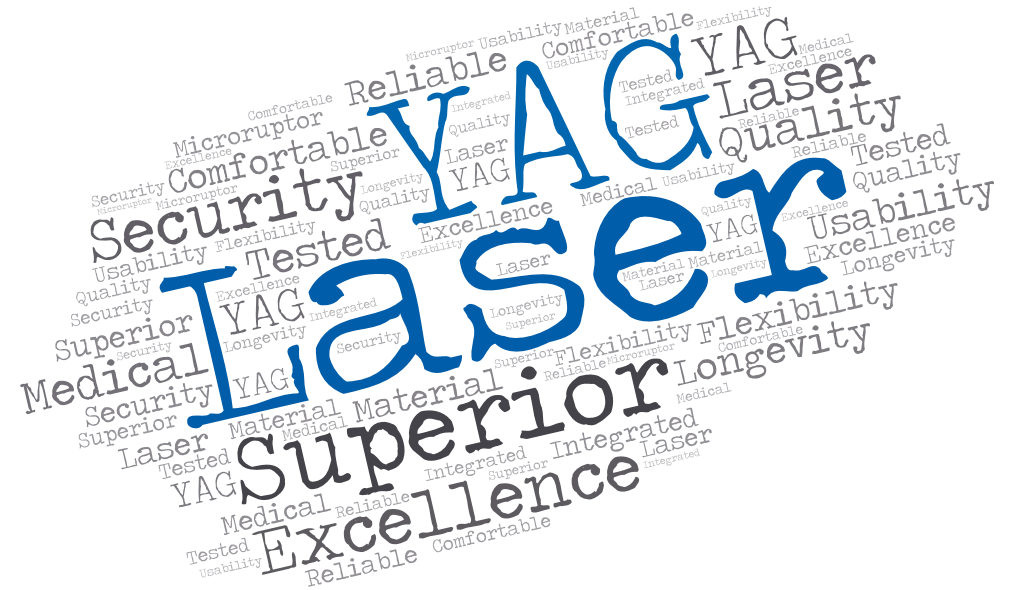


TIPS FOR YOUR LASER

- Yearly maintenance service assures the optimal performance of your laser
- Follow the safety advice of the manufacturer and your regulatory body
- Only use the laser as described in the IFU

CLINICAL INDICATION

For posterior capsulotomy and iridotomy.





Nd:YAG TREATMENT GUIDELINES*

These guidelines have been prepared following industry standards for Nd:YAG treatments, the use of the laser and its parameters are responsibility of the treating ophthalmologist.

Procedure	Power (mJ)	Offset	Pulses
Posterior Capsulotomy (with lens)	0.9 – 2.0	Posterior 200	Single
Posterior Capsulotomy (w/o lens)	1.4 – 2.5	Posterior 200	Single
Peripheral Iridotomy	3.0 – 5.0	Posterior 100	Double-Triple
Peripheral Iridotomy (plateau iris)	5.0 – 7.0	Posterior 200	Triple

* Weiblinger RP. Review of the clinical literature on the use of the Nd:YAG laser for posterior capsulotomy. J Cataract Refract Surg. 1986 Mar;12(2):162-70.

Nd:YAG OTHER TREATMENTS

Although the MR Q supine clinical evaluation did not contemplate these parameters, the following are treatments described for Nd:YAG use

Anterior Capsulotomy	0.5 – 1.0	0	Single
Vitreous Strands (anterior)	2.0 – 3.0	Posterior 100	Single
IOL Surface Cleaning	0.3	Anterior 100	Single

* Weiblinger RP. Review of the clinical literature on the use of the Nd:YAG laser for posterior capsulotomy. J Cataract Refract Surg. 1986 Mar;12(2):162-70.



BINOCULARS IN FOCUS

Each user must have the oculars set for their personal refraction, this way the laser will be in parfocality with the aiming beam and retina. Defocused slit lamp may result in unpredictable laser burns.

PEDIATRIC TREATMENT

Adjust the power accordingly, posterior capsules in infants and young patients are softer, requiring a greater energy to cut the tissue.

ABOUT THE OFFSET

Laser energy travels towards the point of emission (to the front of the eye), when shooting on zero-offset the risk of lens pitting increases. Always check the offset before perform any treatment.

mrq supine




STANDARD ACCESSORIES

- Laser safety sign
- Safety goggles
- Dust cover

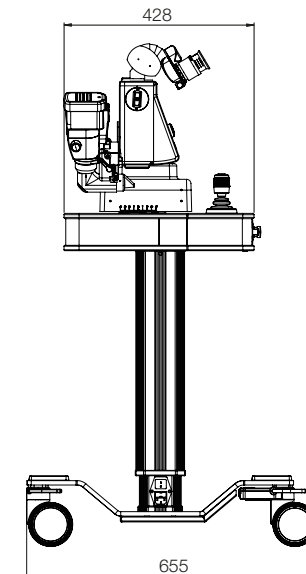
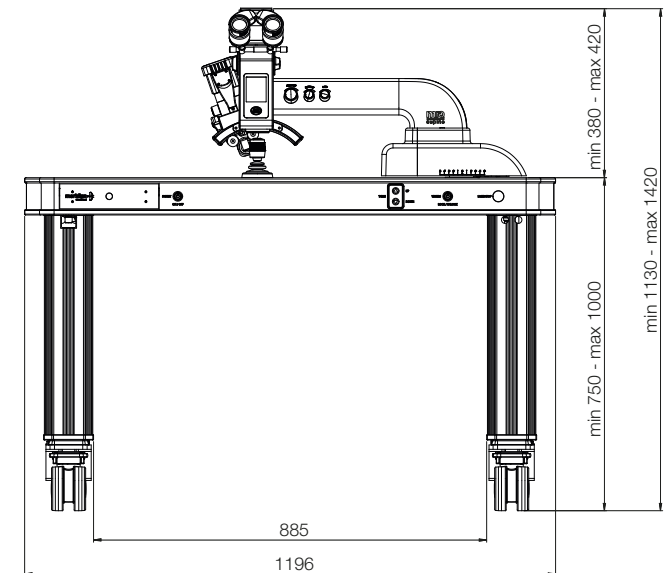
OPTIONAL ACCESSORIES

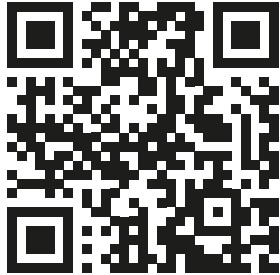
- Foot-switch
- Single port beam splitter
- Co-observation tube
- Adapter for 1/2" digital camera

TECHNICAL SPECIFICATIONS*

Device description	MR Q supine 
Laser source	Q-switched Nd:YAG
Wavelength	1064 nm
Energy range	0.3 – 12 mJ (in single pulse mode), 32 mJ max (in triple pulse model)
Pulse duration	4 ns (typical)
Treatment spot size	< 10 µm
Burst mode	1, 2 or 3 pulses
Cone angle	16°
Treatment offset	Electronically controlled, anterior: 150 µm, 300 µm; posterior: 0 µm, 100 µm, 200 µm, 300 µm;
Slit lamp	CS0 9800 LED Zeiss type
Laser repetition rate	up to 2.5 Hz
Aiming beam	Red diode. Dual Beam. 635 nm
Triggering	Joystick (footswitch optional)
Magnification	(6 x; 10 x; 16 x; 25 x; 40 x)
Cooling system	Air cooled
Dimensions H xW xD	118 cm x 119.6 cm x 70.6 cm 47 in x 47 in x 28 in
Weight	65 kg / 143 lbs
Power requirements	220 – 240 VAC 50/60 Hz
Power rating	520 VA
Patient position	supine

* All technical specifications are subject to change without notice. In accordance with the international laser safety standards: IEC 60601-1:2005 + A1:2012, EN 60601-1-2:2015, MDD 93/42/EEC.





Head office

Meridian Medical Group

Tel.: +41 33 334 11 11
Fax: +41 33 334 11 19
info@meridian.ch
www.meridian.ch

Switzerland

Meridian AG

Biergutstrasse 7
CH-3608 Thun

Slovenia

Meridian Medical d.o.o.

Plemljeva ulica 8
SI-1210 Ljubljana-Šentvid

Finland

Meridian Medical Oy

Elannotie 5
FI-01510 Vantaa