



mrq

**latest technology
YAG laser**

your laser specialist

meridian 
medical



mrq

BEYOND A HISTORICAL NAME

The well-known Microruptor, also known as MR6 changes the name to MR Q.





SUPERIOR QUALITY & LONGEVITY

Meridian MR Q is a fully integrated YAG laser combined with a renowned precision optics LED slit lamp with a magnification range from 6 × up to 40 × selectable in 5 fixed steps.

Laser cavities were tested under stress circumstances ex works with over 600'000 exposures.

The housing of the laser head is made of a high grade aluminium mono bloc giving the unique solid feeling of Meridian products while moving the laser head.





USABILITY

The MR Q convinces by its fast start-up time and its easy to use touch display.

You can choose between anterior and posterior offset on one screen. This ensures a fast and smooth workflow.

The analog rotary knobs, such as laser power and target beam brightness, are located on both sides of the laser head to provide a familiar and comfortable working position for left- and right-handed users.



SAFETY

We test our units after each assembly in our own laboratory for stability and electrical safety.

The aiming beam consists of a red two-point focusing system.

Laser safety goggles and safety shields are supplied by us as standard accessories. As additional safety functions the laser has a key switch and an easily accessible emergency stop button.





FLEXIBILITY & COMFORT

For small practice rooms, the MR Q is available as a space-saving stand-alone unit. In this case, the laser can be installed very easily on an existing height-adjustable medical table.

As an option we offer a motorized, two-column table which offers good ergonomics for patients and doctors and is also particularly suitable for wheelchairs. The ergonomic positioning of the handles guarantees a comfortable sitting position for the patient and thus increases patient comfort.

The laser is triggered with the joystick on the instrument base or optionally with a foot switch which is attached to the connector on the left side of the device.





LASER EXCELLENCE

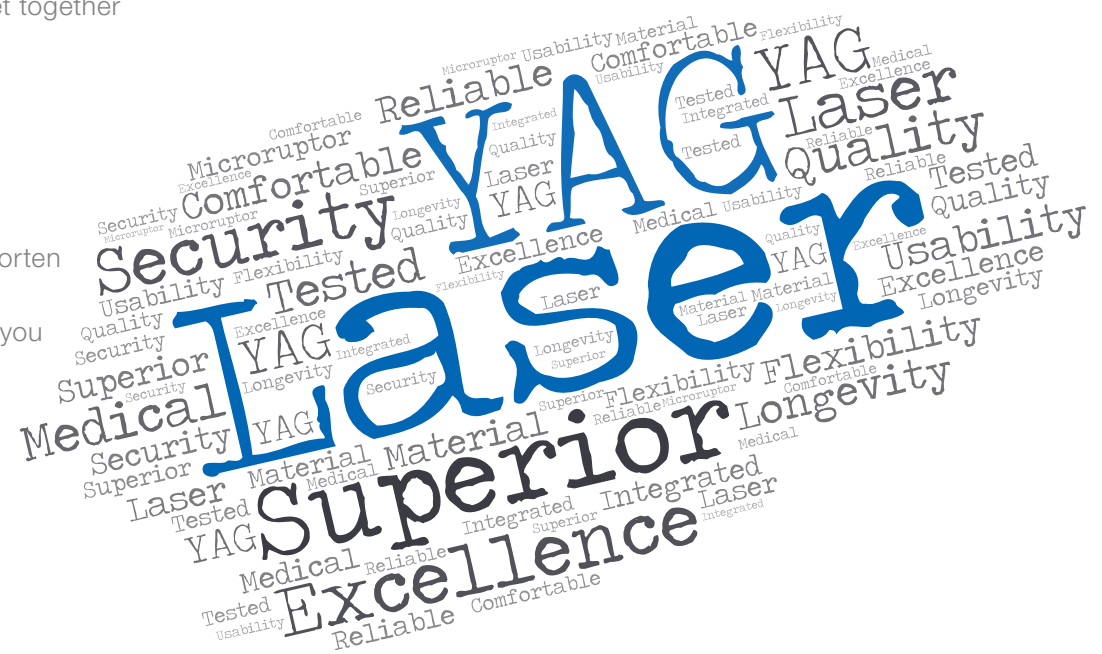
The history of Meridian AG, now showing up as Meridian Medical Group, and the history of the medical Nd:YAG laser are closely connected. Meridian AG was already significantly involved in the development of the "Microruptor II" in 1982 and was able to launch the first commercial Nd:YAG laser for ophthalmology on the market together with Prof. Dr. Franz Fankhauser († 2020)

TIPS FOR YOUR LASER

- Not using your laser over a longer period of time will shorten its lifetime
- The included dust cover protects the sensitive optics if you do not use the laser for a longer time
- Regular cleaning ensures stable operation of the laser

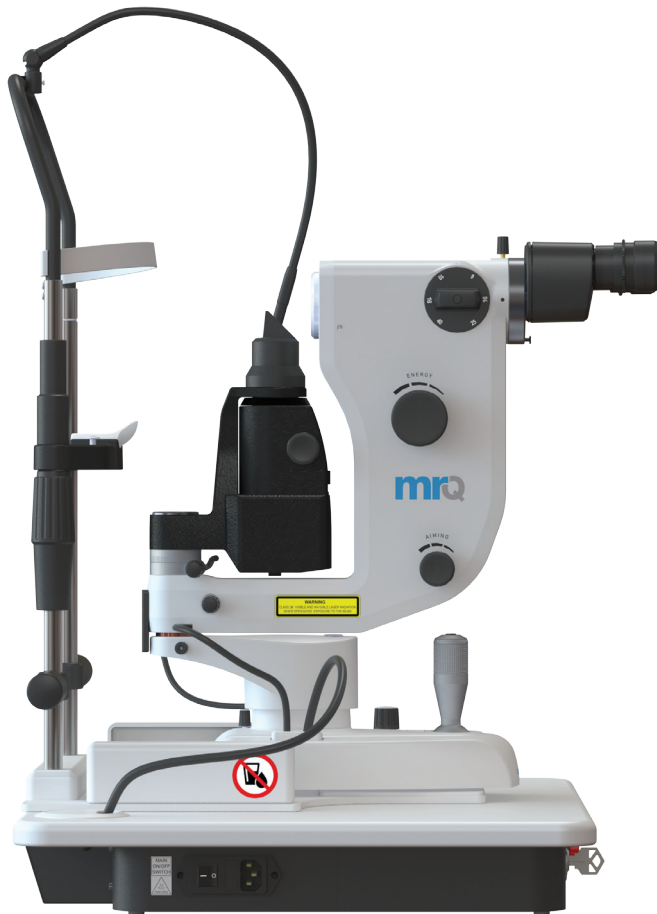
CLINICAL INDICATION

For posterior capsulotomy, pupillary membranectomy and iridotomy.



your laser specialist





mrq

STANDARD ACCESSORIES

- Laser safety sign
- Safety goggles
- Dust cover

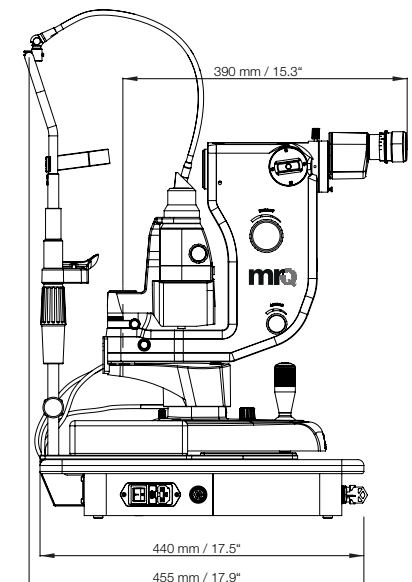
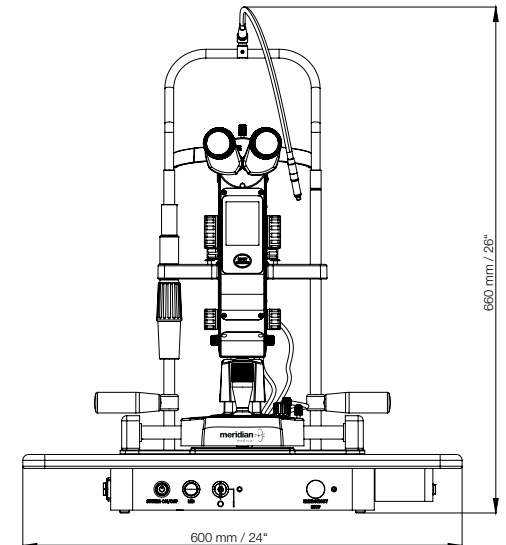
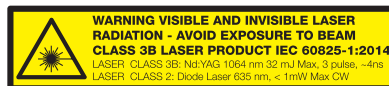
OPTIONAL ACCESSORIES

- Foot-switch
- Dual plug beam splitter
- Observation tube
- Adapter for 1/2" digital camera
- Ergonomic height-adjustable motorized table

TECHNICAL SPECIFICATIONS*

Device description	MR Q mrq
Laser source	Q-switched, solid state Nd:YAG 1064 nm
Pulse duration	4 ns +4 / -0 ns
Pulse setting	1,2 or 3 pulses
Maximum repetition rate	2 Hz
Maximum energy	32 mJ
Treatment spot size	10 µm
Cone angle	16°
Treatment beam offset range	Anterior and posterior: 0 to ± 300 µm
Aiming beam	Red Dual Diode; 635 nm
Magnification	(6x; 10x; 16x; 25x; 40x)
Cooling system	Air convection
Weight	24 kg / 53 lbs. (Unpacked)
Power rating	100 – 240 VAC, 50 / 60 Hz
Power requirements	100 VA

* All technical specifications are subject to change without notice. In accordance with the international laser safety standards: IEC 60601-1:2005 + A1:2012, EN 60601-1-2:2015, MDD 93/42/EEC.





Main contact

Meridan Medical Group

Tel.: +41 33 334 11 11
Fax: +41 33 334 11 19
info@meridian.ch
www.meridian.ch

Switzerland

Meridian AG

Bierigutstrasse 7
CH-3608 Thun

Slovenia

Meridian Medical d.o.o

Plemljeva 8
1210 Ljubljana

Finland

Valon Lasers Oy

Elannotie 5
01510 Vantaa